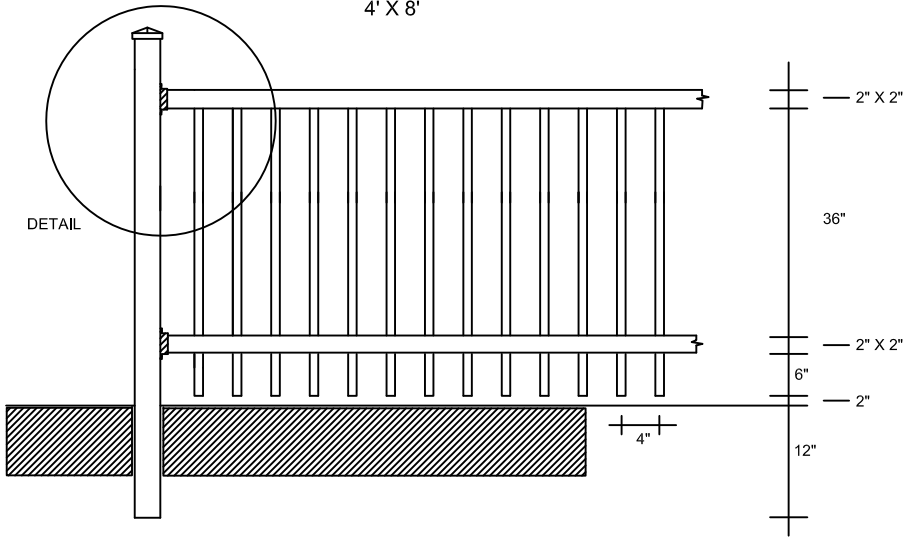
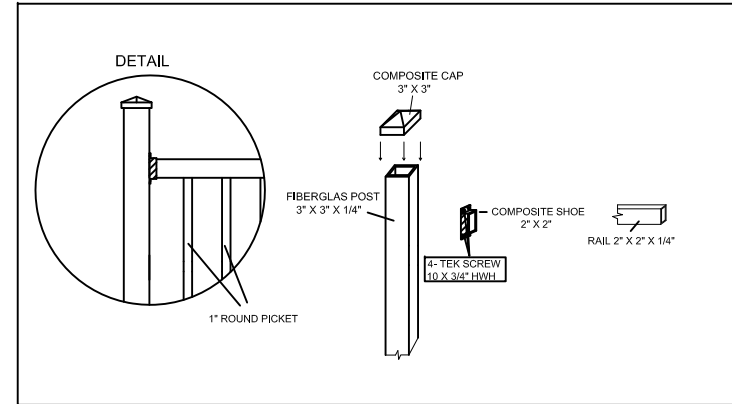


ORNAMENTAL FENCE PANEL
4' X 8'



INSTALLATION RAIL TO POST



ALL IDEAS, DESIGNS, PLANS AND SPECIFICATIONS REPRESENTED BY THESE DOCUMENTS, ARE OWNED BY F & F COMPOSITE GROUP, INC., AND ARE THE PROPERTY OF THIS OFFICE AND WERE CREATED FOR USE ON AND IN CONNECTION WITH THE SPECIFIED PROJECT. NONE OF THE IDEAS, DESIGNS, PLANS OR SPECIFICATIONS SHALL BE USED BY OR DISCLOSED TO ANY PERSON, FIRM OR COMPANY FOR ANY PURPOSE WITHOUT THE WRITTEN PERMISSION OF F & F COMPOSITE GROUP INC.

WRITTEN DIMENSIONS SHALL TAKE PRECEDENCE OVER SCALED DIMENSIONS. CONTRACTORS SHALL BE RESPONSIBLE FOR AND FIELD VERIFY ALL DIMENSIONS AND SITE CONDITIONS. IMMEDIATE NOTIFICATION SHALL BE PROVIDED TO F & F COMPOSITE GROUP, INC., UPON DISCOVERY OF ANY VARIATIONS FROM THE DIMENSIONS AND CONDITIONS DEPICTED BY THESE DRAWINGS. SHOP DRAWINGS SHALL BE SUBMITTED TO THIS OFFICE FOR APPROVAL PRIOR TO PROCEEDING WITH FABRICATION.

All Dims. all for ref. only

Project : 4' x 8' Ornamental	
Date: 02-18-2011	F & F Composite Group Inc.
Permit:	715 Katy Road.
Construction Date: 00-00-00	5800 Egg Farm Rd.
Description:	Keller Tx. 76248